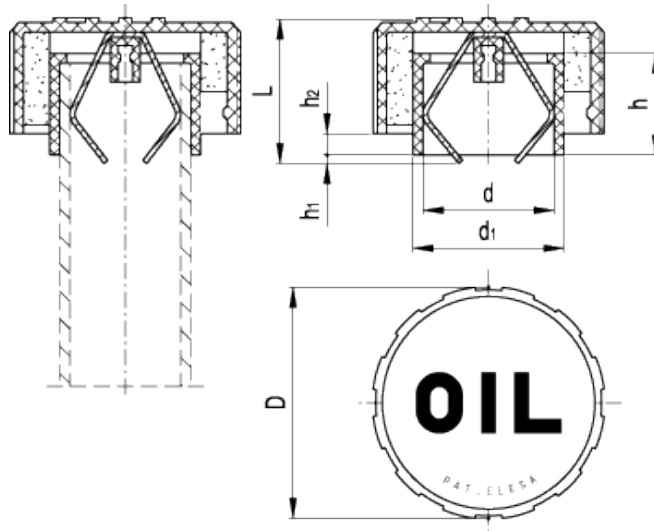


SFN-PF + F

Breather cap push-fit



ELESA Original design



technical informations

Cover and threaded connector

Polyamide based (PA) technopolymer. Resistant to solvents, oils, greases and other chemical agents.

Colour

- Cover: RAL 2004 orange, semi-matte finish, marked "OIL".
- Threaded connector: black, semi-matte finish.

Assembly

Push-fit on pipes with max outside diameter of 39 mm and min inside diameter of 32 mm.

Clip

Black-oxide steel.

Ring-shaped air filter

"Tech-foam" polyurethane foam mesh (polyester base), air filtration 40 μ .

Maximum continuous working temperature

100°C.

Special executions on request (For sufficient quantities)

- Cover, RAL 2004 orange, without "OIL" mark.
- Black cover with or without "OIL" mark.

Standard Elements		Main dimensions							Weight
Code	Description	d	h	D	L	d ₁	h ₁	h ₂	g
54761	SFN.70-PF+F	39.5	27.5	70	43	45.5	2.5	6.5	67

This product had the following design awards:



ELESA and GANTER models all rights reserved in accordance with the law. Always mention the source when reproducing our drawings.

STANDARD MACHINE ELEMENTS WORLDWIDE